



BOWFLEX

SelectTech

**SelectTech[®] 5.1 Bench
Assembly / Owner's Manual**



This product is compliant with the applicable CE requirements.

Congratulations on your commitment to fitness and your purchase of the Bowflex® SelectTech® 5.1 Bench. Before assembling your Bowflex® SelectTech® 5.1 Bench please read the Owner's/Assembly Manual and follow the Important Safety Instructions.

Table of Contents

Important Safety Instructions	3
Safety Warning Labels	4
Before You Assemble	5
Hardware and Tool Guide	5
Parts	6
Assembly	7
Bench Positions	12
Bench Maintenance	13
Companion Exercise Equipment	13

To validate warranty support, keep the original proof of purchase and record the following information:

Serial Number _____ Date of Purchase _____

To register your product warranty, contact your local distributor.

For details regarding product warranty or if you have questions or problems with your product, please contact your local distributor. To find your local distributor, go to: www.nautilusinternational.com

Nautilus, Inc., www.nautilusinternational.com | Nautilus, Inc., 18225 NE Riverside Parkway, Portland, OR 97230 USA | Printed in China | © 2017 Nautilus, Inc. | ® indicates trademarks registered in the United States. These marks may be registered in other nations or otherwise protected by common law. Bowflex, the B logo, SelectTech, Nautilus, Schwinn, and Universal are trademarks owned by or licensed to Nautilus, Inc.

ORIGINAL MANUAL - ENGLISH VERSION ONLY

Important Safety Instructions

 This icon means a potentially hazardous situation which, if not avoided, could result in death or serious injury.

Before using this equipment, obey the following warnings:

 **Read and understand all warnings on this machine.
Carefully read and understand the Assembly Manual.**

- Keep bystanders and children away from the product you are assembling at all times.
- Make sure assembly is done in an appropriate work space away from foot traffic and exposure to bystanders.
- Some components of the equipment can be heavy or awkward. Use a second person when doing the assembly steps involving these parts. Do not do steps that involve heavy lifting or awkward movements on your own.
- Maximum load limit: 218 kg (480 lb.).
- This equipment is for home use only.
- Set up and operate this equipment on a solid, level, horizontal surface.
- Do not assemble or operate this equipment outdoors or in a wet or moist location.
- Do all assembly steps in the sequence given. Incorrect assembly can lead to injury.
- Do not try to change the design or functionality of this equipment. This could compromise the safety of this equipment and will void the warranty.
- If replacement parts are necessary, use only genuine replacement parts and hardware supplied by Nautilus. Failure to use genuine replacement parts can cause a risk to users, keep the equipment from operating correctly and void the warranty.
- Do not use until the equipment has been fully assembled and inspected for correct performance in accordance with the Owner's Manual for your SelectTech® dumbbells.
- Read and understand the complete Owner's Manual supplied for your SelectTech® dumbbells before first use. Keep the Owner's and Assembly Manuals for future reference.
- Children must not be let on or near to this equipment. Moving parts and other features of the equipment can be dangerous to children.
- Not intended for use by anyone under 14 years of age.
- Consult a physician before you start an exercise program. Stop exercising if you feel pain or tightness in your chest, become short of breath, or feel faint. Contact your doctor before you use the equipment again.
- Do not wear loose clothing or jewelry. This equipment contains moving parts. Do not put fingers or other objects into moving parts of the exercise equipment.
- Always wear rubber soled athletic shoes when you use this equipment. Do not use the equipment with bare feet or only wearing socks.
- Before each use, examine this equipment for loose parts or signs of wear. Contact your local distributor for repair information.
- Correctly adjust and safely engage all Positional Adjustment Devices. Make sure that the Adjustment Devices do not hit the user.
- Keep at least 1.3 m (50") clear on each side of the bench. This is the recommended safe distance for access and passage around the bench.
- Before exercising, make sure the back and seat supports are securely fastened and the bench is firmly in place.
- Never attempt to exercise with more resistance than you are physically able to handle.
- For safety, it is recommended that you exercise with a training partner or spotter.
- Do not use the bench if any component is found worn or damaged.

Safety Warning Labels

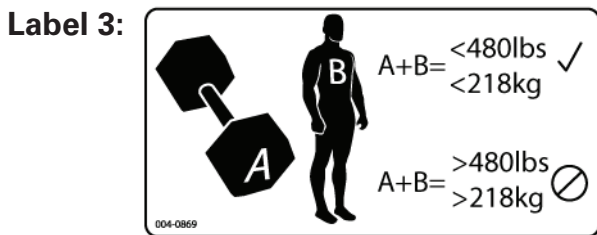
The following safety warnings are located on the Bowflex® SelectTech® 5.1 Bench. Please read all safety precautions and warning information prior to using your product. Be sure to replace any warning label if damaged, illegible, or missing. If you need replacement labels, contact your local distributor.

- Label 1:** “Warning!:
- Read and understand the complete user manual. Keep manual for future reference.
 - Read and understand all warnings on this device. If at any time the warning stickers become loose, unreadable or dislodged, contact your local distributor for replacement stickers.
 - Children must not be let on or near to this device.
 - This device is for home use only.
 - Set up and operate this device on a solid, level, horizontal surface.
 - Make sure that you give users enough free space around the device for safe operation.
 - Injury or death are possible if Caution is not used while operating this equipment.”

Location: On the rear Bench Frame.

Label 2: “Warning!: Keep hands clear of this area.”

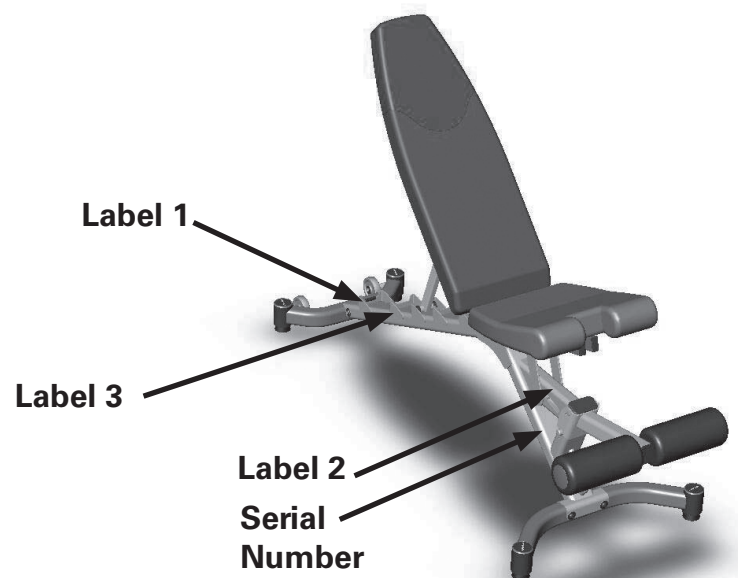
Location: On the front Bench Frame.



Location: On the rear Bench Frame.

Serial Number: Record serial number in the Contacts section at the end of this manual.

Location: On the front Bench Frame.



Before You Assemble

Before You Assemble

Please take the time to read all assembly instructions before attempting to assemble your Bowflex® SelectTech® 5.1 Bench. The best place for your Bowflex® SelectTech® 5.1 Bench is on a hard, level surface.

Basic Assembly Principles

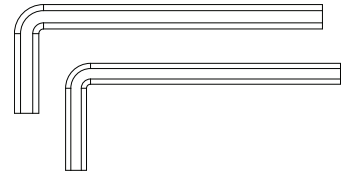
Here are a few basic tips that will make your assembly of the Bowflex® SelectTech® 5.1 Bench quick and easy. By using these principles, you can simplify each process and save yourself extra time and effort.

1. To make the assembly process go faster, gather the pieces you need for each step and thoroughly read the assembly instructions for that step prior to starting assembly for the step.
2. When tightening a locknut on a bolt, use a combination wrench to grip the locknut and ensure that it is fastened securely.
3. When attaching two pieces, gently lift and look through the bolt holes to help guide the bolt through the holes.
4. As a general rule, and for all bolts and nuts on your Bowflex® SelectTech® 5.1 Bench, turn bolts or nuts toward the right (clockwise) to tighten and left (counterclockwise) to loosen.

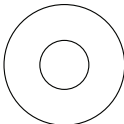
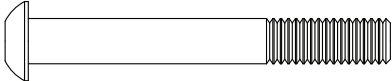
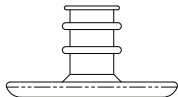

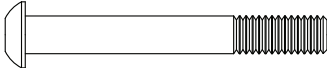
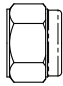
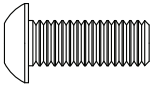
Hardware and Tool Guide

Tools Required:

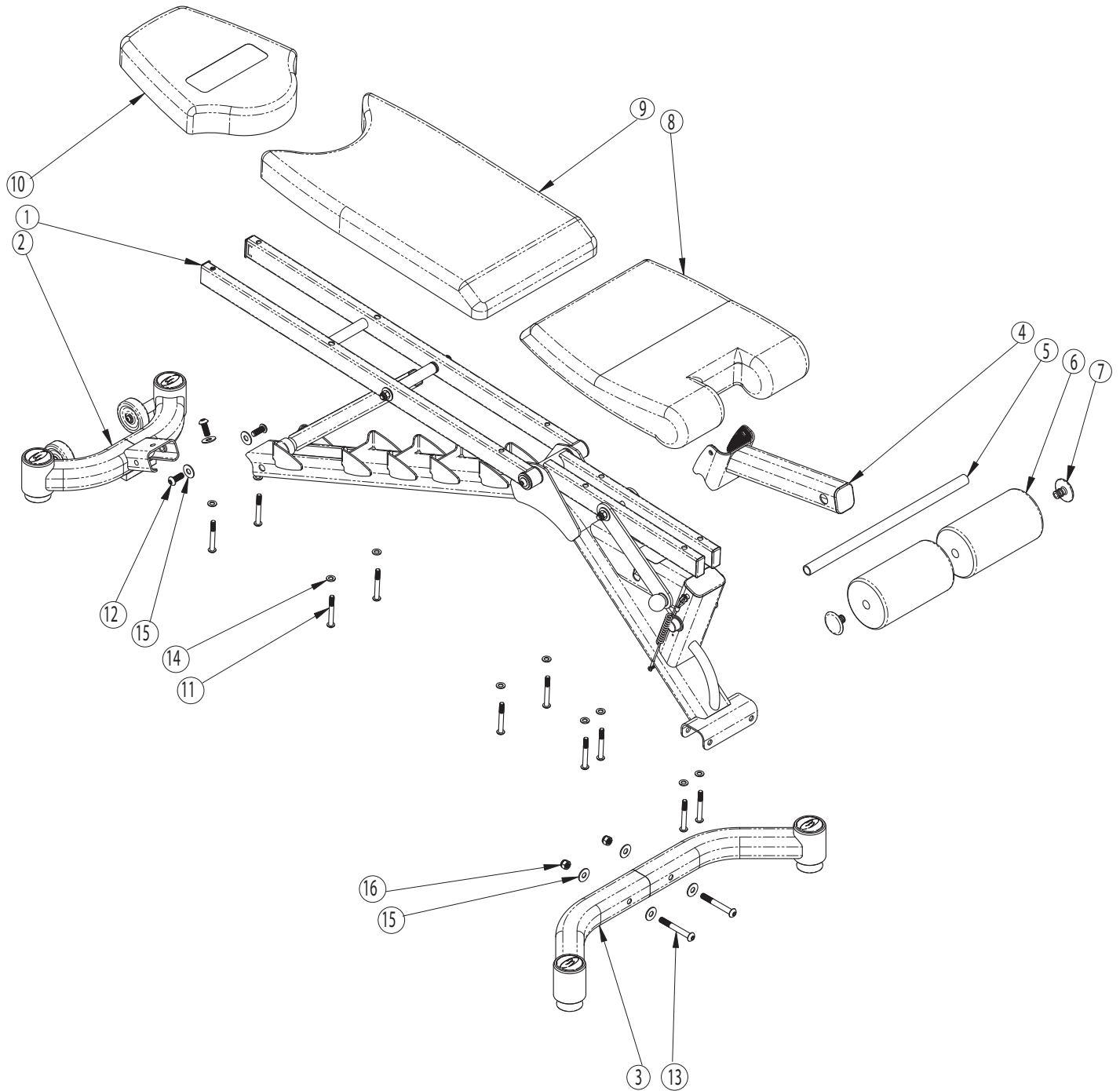
- 9/16" Socket
- 9/16" Wrench or Adjustable wrench
- 7/32" Hex Wrench (provided)
- 3/16" Hex Wrench (provided)



Hardware:

 <p>Descr: Flat Washer 3/8" Qty: 7</p>	 <p>Descr: Button Head Hex Bolt - 3/8" x 3" Qty: 2</p>	 <p>Descr: End Cap 3/4" Qty: 2</p>
 <p>Descr: Flat Washer 5/16" Qty: 10</p>	 <p>Descr: Button Head Hex Bolt - 5/16" x 2.5" Qty: 10</p>	<p><i>NOTE: Illustrations not to scale.</i></p>
 <p>Descr: Lock Nut 3/8" Qty: 2</p>	 <p>Descr: Button Head Hex Bolt - 3/8" x 1" Qty: 3</p>	

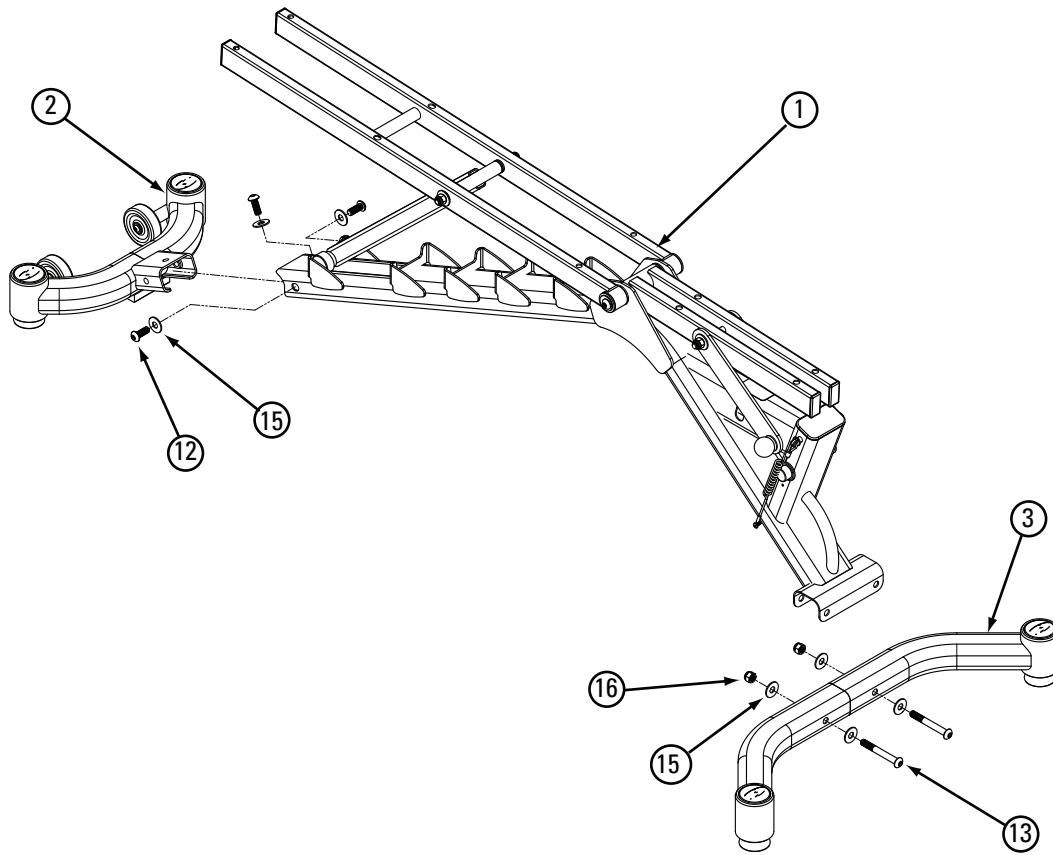
Parts



<i>Item #:</i>	<i>Qty:</i>	<i>Description:</i>	<i>Item #:</i>	<i>Qty:</i>	<i>Description:</i>
1	1	FRAME ASSY	10	1	PAD, HEAD
2	1	STABILIZER, REAR	11	10	BHHB 5/16" x 2.5" BLK
3	1	STABILIZER, FRONT	12	3	BHHB 3/8" x 1" BLK
4	1	LEG HLD DOWN ASSY	13	2	BHHB 3/8" x 3" BLK
5	1	TUBE, FOAM ROLLER	14	10	FLAT WASHER 5/16"
6	2	PAD, FOAM ROLLER	15	7	FLAT WASHER 3/8"
7	2	CAP, END 3/4"	16	2	NUT, NYLOCK 3/8"
8	1	SEAT, BOTTOM			
9	1	PAD, BACK			

Assembly

STEP 1: Attaching Front and Rear Stabilizers



Parts:

- (1) Bench Frame - Item 1
- (1) Rear Stabilizer - Item 2
- (1) Front Stabilizer - Item 3

Hardware:

- (2) 3/8" Button Head Hex Bolt, 3" long - Item 13
- (3) 3/8" Button Head Hex Bolt, 1" long - Item 12
- (7) Flat Washer 3/8" - Item 15
- (2) Lock Nut 3/8" - Item 16

Tools:

- 7/32" Hex Wrench
- 9/16" Wrench

Assembly Steps:

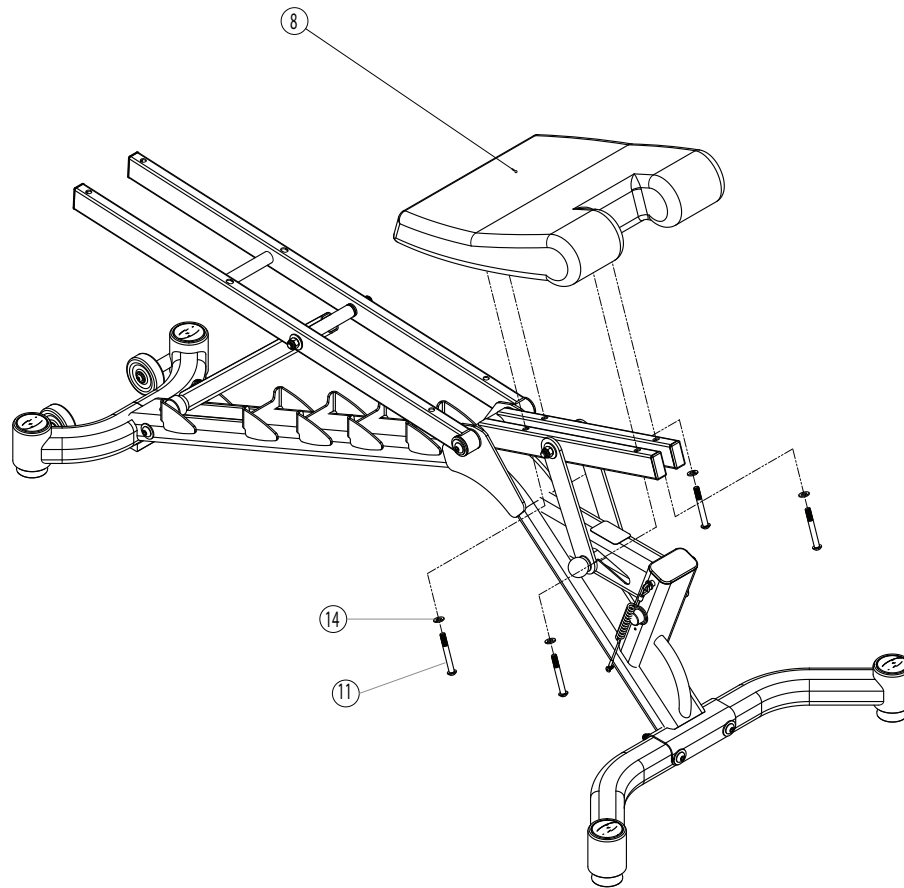
1-1 Attach the Front Stabilizer (2) to the Bench Frame (1) using the hardware shown.

1-2 Tighten hardware.

1-3 Attach the Rear Stabilizer (3) to the Bench Frame (1) using the hardware shown.

1-4 Tighten hardware.

STEP 2: Attaching Seat Pad to Main Frame



Parts:

- (1) Bench Frame Assembly from Step 1
- (1) Seat Pad Assembly - Item 8

Hardware:

- (4) 5/16" Button Head Hex Bolt, 2-1/2" long
- Item 11
- (4) Flat Washer 5/16" - Item 14

Tools:

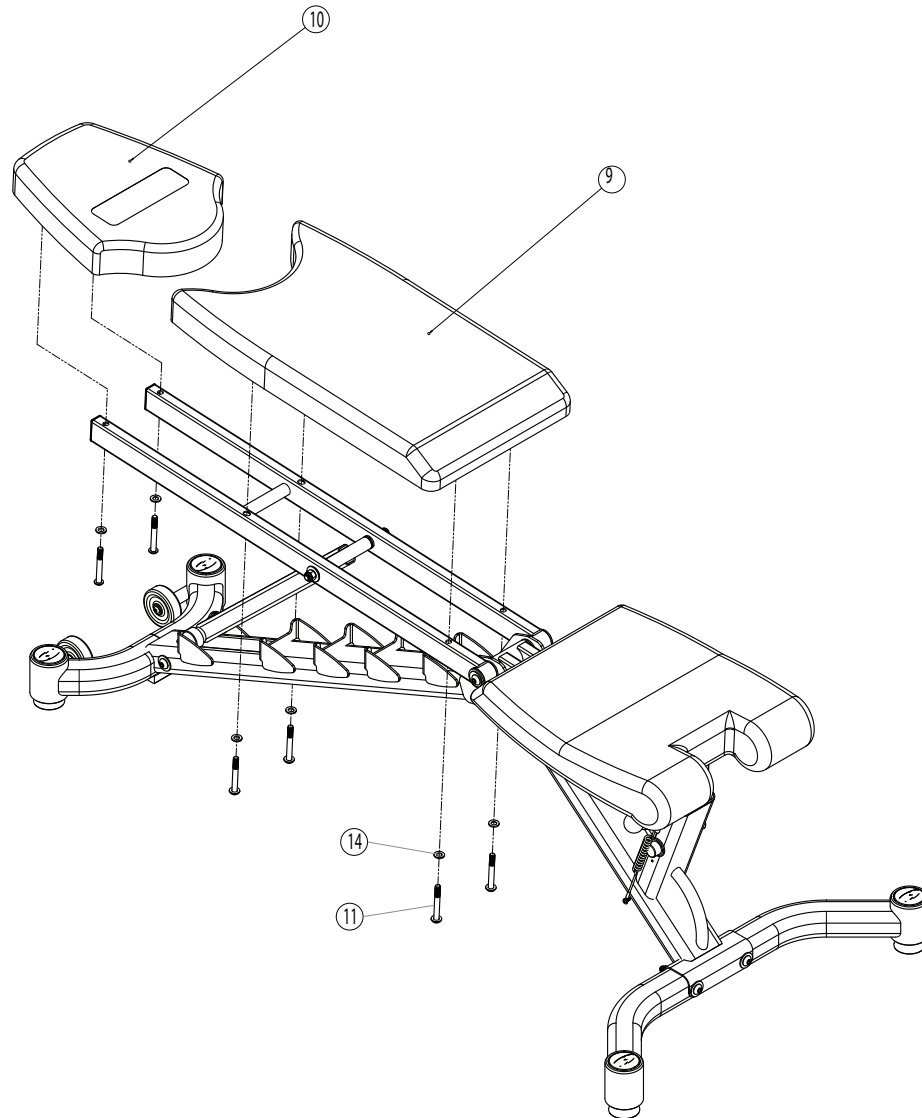
- 3/16" Hex Wrench

Assembly Steps:

2-1 Align the Seat Pad Assembly (1) to the Bench Frame Assembly between the open holes as shown.

2-2 Secure with the hardware as shown.

STEP 3: Attaching Back Assembly to Main Frame



Parts:

- (1) Bench Frame Assembly from Step 2
- (1) Back Pad Assembly - Item 9
- (1) Head Pad Assembly - Item 10

Hardware:

- (6) 5/16" Button Head Hex Bolt, 2-1/2" long - Item 11
- (6) Flat Washer 5/16" - Item 14

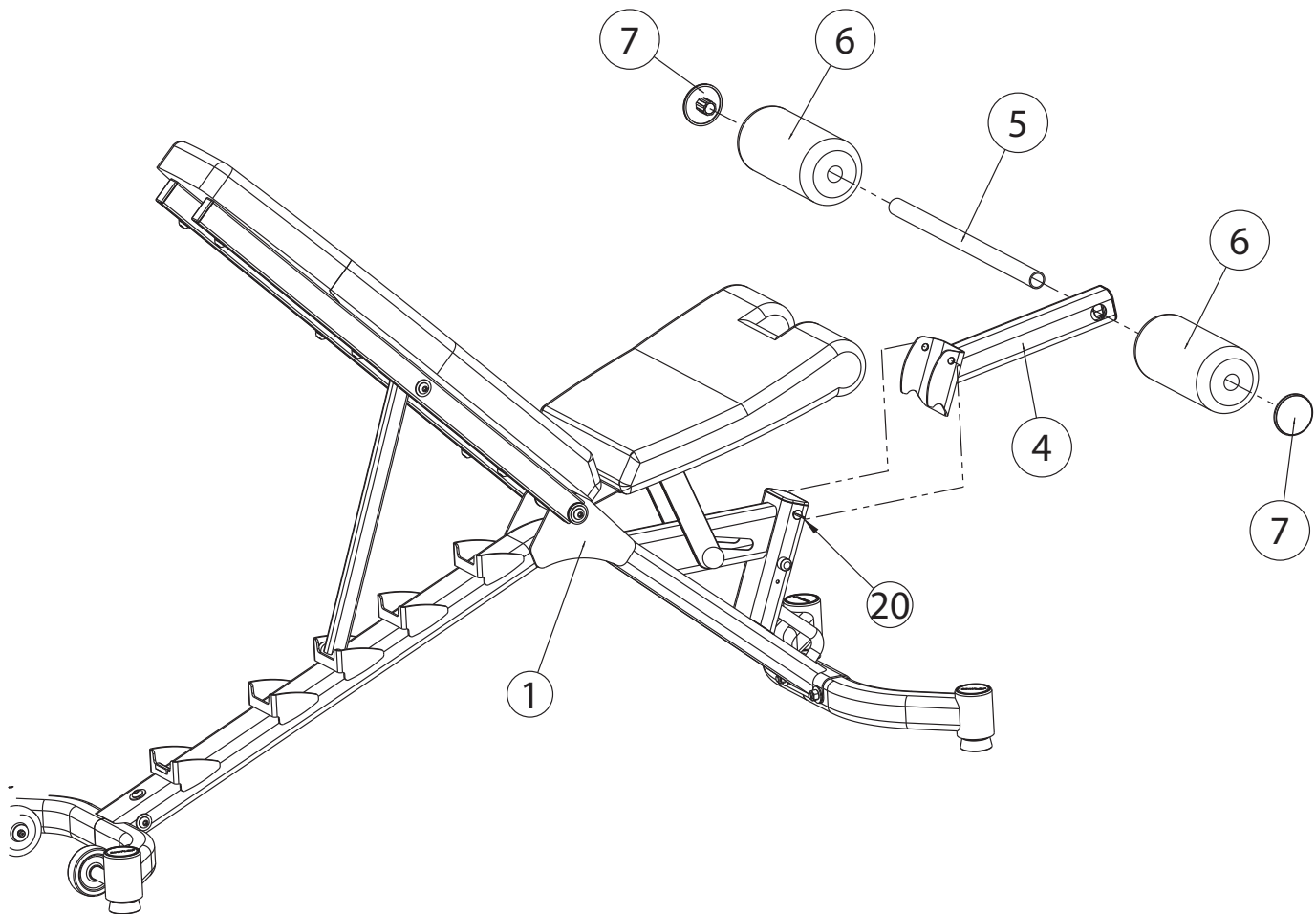
Tools:

- 3/16" Hex Wrench

Assembly Steps:

- 3-1 Align the Back Pad Assembly (9) to the Bench Frame Assembly between the open holes as shown.
- 3-2 Secure with the hardware as shown.
- 3-3 Align the Head Pad Assembly (10) to the Bench Frame Assembly between the open holes as shown.
- 3-4 Secure with the hardware as shown.

STEP 4: Attaching Leg Hold Down Attachment



Parts:

- (1) Bench Frame Assembly from Step 3 - Item 1
- (1) Leg Hold Down Tube - Item 4
- (1) Leg Pad Bar - Item 5
- (2) Leg Pad - Item 6
- (2) Leg Pad End Cap - Item 7

Hardware:

- (1) Pull Pin

Assembly Steps:

4-1 Attach the Leg Hold Down attachment to the Bench Frame Assembly (1).

Begin by inserting the Leg Pad Bar (5) through the hole in the Leg Hold Down Tube (4), leaving room on each side for the Leg Pads.

4-2 Slide both Leg Pads (6) onto the Leg Pad Bar (5) so that the entire assembly is centered on the Leg Hold Down Tube (4).

Secure the Leg Pad End Caps (7) onto each end of the Leg Pads (6).

4-3 Attach the Leg Hold Down Assembly to the Bench as shown in the figure, with the hook portion of the Leg Hold Down Tube (4) resting on the rubber stop of the bench and the top portion of the Leg Hold Down Tube aligning with the pull pin hole (20).

Secure the Leg Hold Down by inserting the pull pin through the Leg Hold Down Tube and the bench through the area shown (20).

STEP 5: Final Inspection

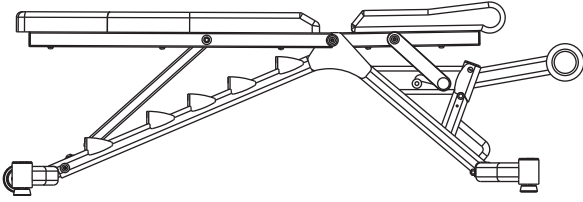
You have successfully completed assembly of your Bowflex® SelectTech® 5.1 Bench. Please inspect your exercise bench to ensure that all fasteners are tight and components are properly assembled. Review all warnings affixed to machine.



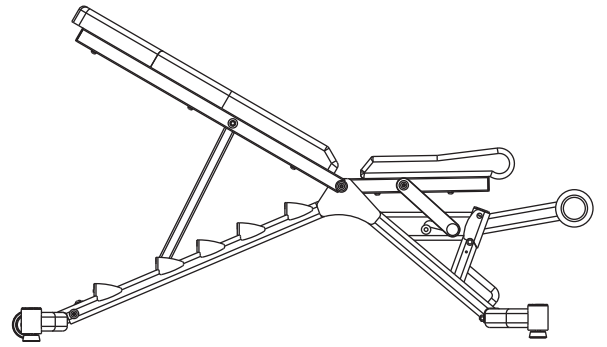
WARNING

Failure to visually check and test assembly before use can cause damage to the Bowflex® SelectTech® 5.1 Bench and serious injury to users and bystanders and can also compromise the effectiveness of your exercise program.

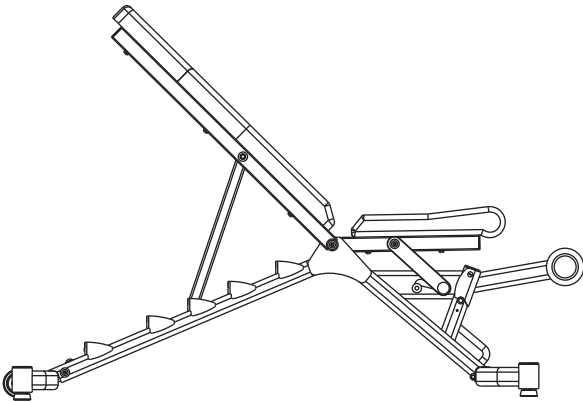
Bench Positions



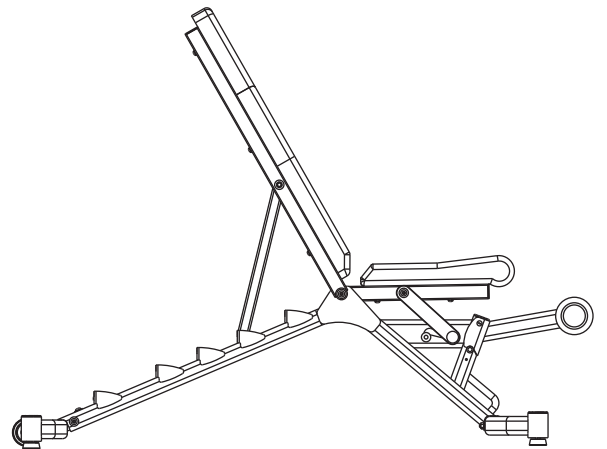
Flat



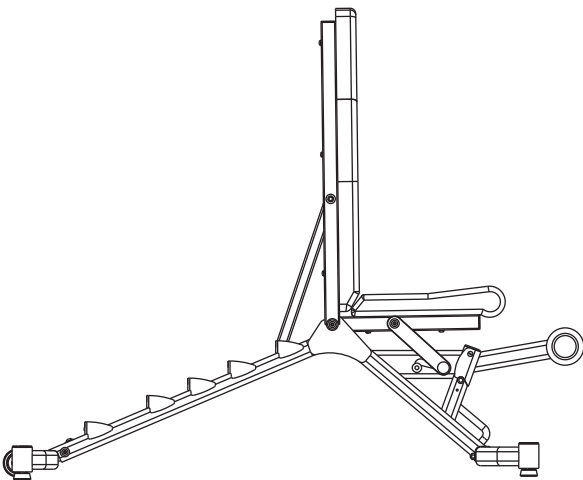
30 degrees



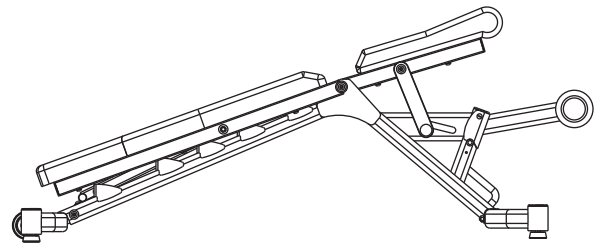
45 degrees



60 degrees



90 degrees



Decline with Seat raised

Bench Maintenance

Daily

After each use, wipe bench free of sweat with a clean, dry cloth. Upholstery can be cleaned with a mild detergent or spray cleaner.

Weekly

If used often, your bench should be thoroughly cleaned using a clean cloth and an ammonia based cleanser. Wipe bench down completely and be sure to touch up any scratches with touch up paint to prevent rusting.

Monthly

Check the frame of the bench for any sign of cracking or permanent bending. If you find this situation, do not use the bench and contact your local distributor immediately.

Companion Exercise Equipment

The Bowflex® SelectTech® 3.1 and 5.1 benches are designed for use with Bowflex® SelectTech® dumbbell equipment. The SelectTech® Dumbbell features a patented locking mechanism designed to assure proper and complete selection of the weight plates for each exercise. The SelectTech® dumbbell line includes the following models:

- SelectTech® 552 dumbbell – weight range 2.7 - 23.6 kg (5-52 lbs.)
- SelectTech® 1090 dumbbell – weight range 4.5 - 40.8 kg (10-90 lbs.)

Using the bench expands the variety of exercises that you can include in your workout routine. The Owner's Manual for each dumbbell model describes the variety of exercises available to enhance your workout routine.

Dumbbell stands for the SelectTech® dumbbells are also available separately. These stands feature an ergonomic design to enhance the functionality of the SelectTech® Dumbbell. The dumbbell handles are positioned in a natural orientation providing a comfortable and secure lifting position. In addition, the stand's V-shape "step-in" design allows the user to maintain proper upper body position while lifting or replacing the dumbbells in the base.

- SelectTech® 2-in-1 Dumbbell Stand – for use with both the SelectTech® 552 and the SelectTech® 1090 dumbbell



SelectTech® 552 Dumbbell with 2-in-1 Stand

Please contact your local distributor for information about other products.





