

AB Attachment Assembly Instructions

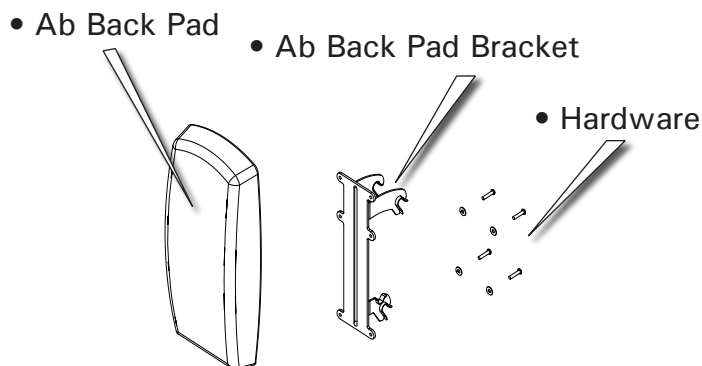
Tools You Will Need

These Tools Are Not Provided in the Box

3/16" Allen Wrench

* Tool and Hardware specifications subject to change without notice.

Box Contents



Install Back Pad

Parts:

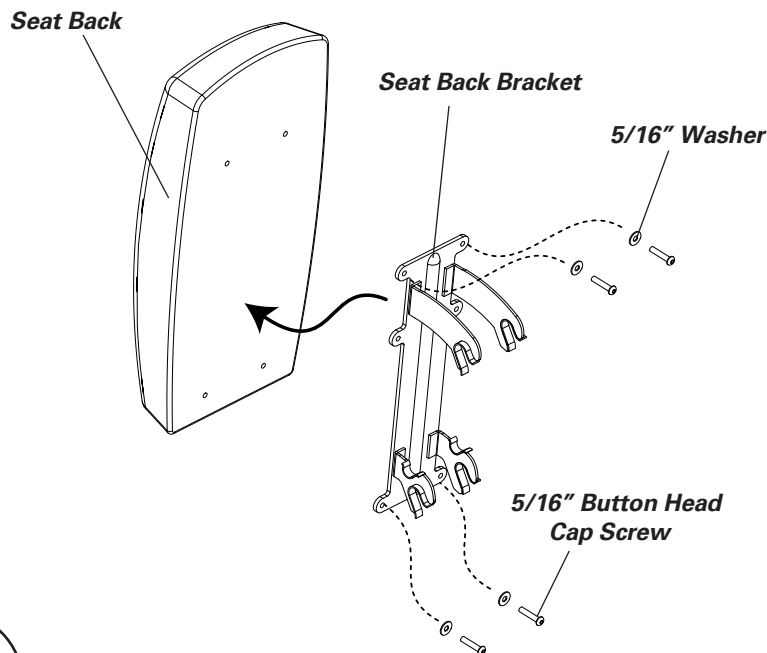
- Ab Back Pad
- Ab Back Pad Bracket

Tools:

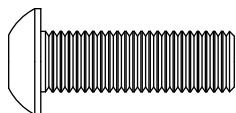
- 3/16" Allen Wrench

1. Align the Back Pad with the upper and lower 4 holes in the Back Pad Bracket. The middle holes are not used with this pad.

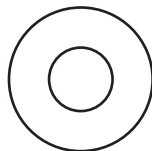
2. Install and completely tighten the hardware.



Hardware (1:1):



4 Button Head Cap Screw (5/16" X 1")



4 Washer (5/16")

For information on use of the AB Attachment please refer to your Revolution XP Owners Manual.